



#ConduceMiEnergía

Condumex Autopartes



condumexarneses.com.mx

cordaflex.com.mx



Today within **Grupo Carso**, the core business are focused on 6 business sectors :



1. **Industrial Products: Automotive Parts, Cables, Electronics**
2. Infrastructure and Construction.
3. Telecommunications
4. Mining
5. Banking
6. Retail

Condumex started operations in 1954.

In 1984, **Condumex and Aptiv** started a Joint Venture in the Automotive Sector called “**Promotora**”.



In 1992 Condumex Group was acquired from Carso Group, brought financial stability and successful financial lessons learned.

We offer **local content** and **vertical integration** since we **manufacture our own automotive cable**.

Carso Companies



- Carso Oil & Gas
- Carso Electric

Automotive



Cable



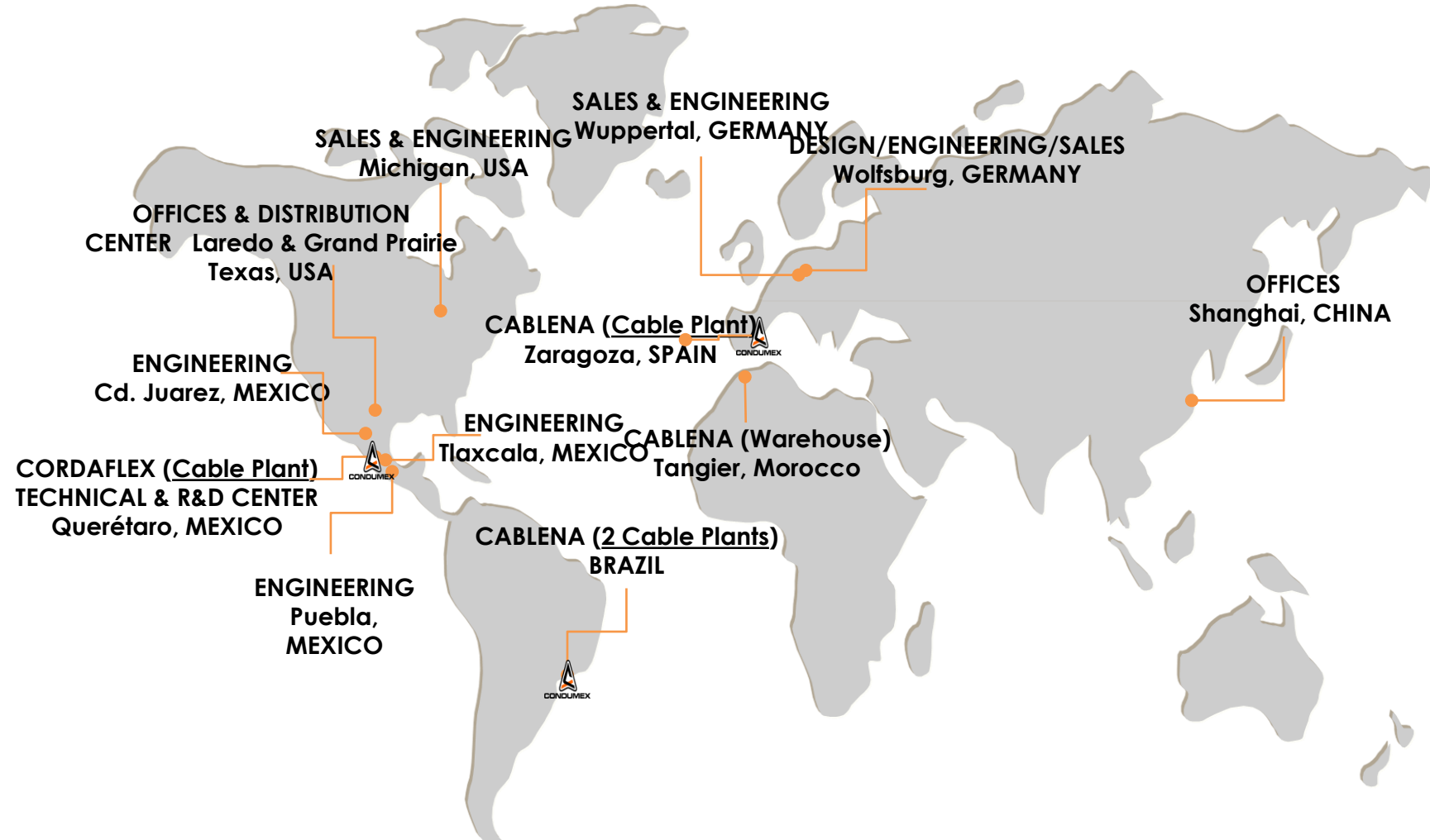
Energy



R & D



Global presence



Wire Harness and Automotive Cable Plants in México

Locations Wire Harness - Automotive Cable Plants

Wire harness ^P plants

Guanajuato

- Silao I
- Silao II
- Ocampo
- San Felipe I
- San Felipe II
- San Felipe III
- Jaral de Berrios
- San Diego de la Unión
- Apaseo el Grande
- Jerécuaro
- Jaral del Progreso
- Tarandacuao
- Coroneo
- Acámbaro
- Valle de Santiago
- Victoria de Guanajuato

Hidalgo

- Almoloya



Tlaxcala

- Ixtacuixtla
- Atltzayanca
- Nanacamilpa
- Tlaxcala

Automotive ^A cable plants

Mexico, City

- México, City

Automotive ^P cable plants

Querétaro

- Querétaro



Harnesses plants

Arela Apaseo



Founded in 1991 in Guanajuato State.

- **Tier One Wiring Harnesses:** Engine, body, instrument panel, tail gate, lamps (forward, fog, rear), door, sunroof, chassis, seats, steering wheels, fascias, fuel tank, HVAC.

PRODUCTS:

- Battery Cables

PEOPLE

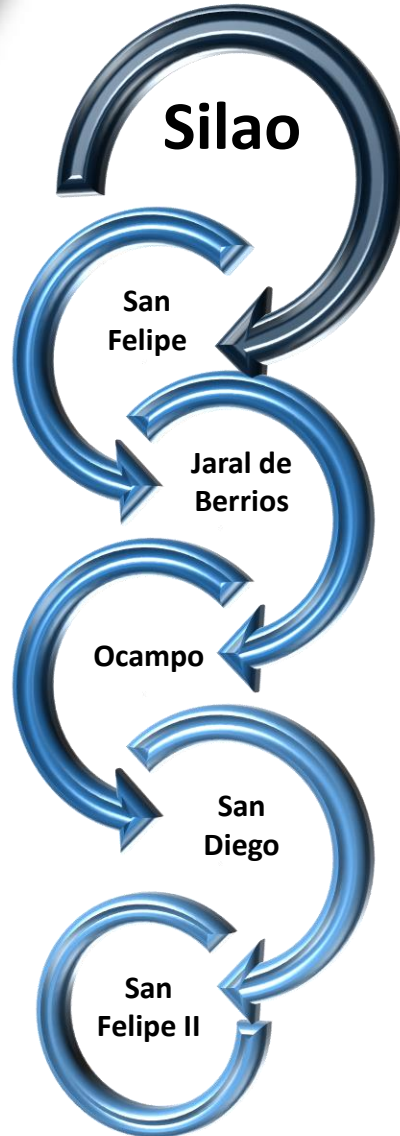
Salaried: 317 Hourly: 4,452

Total: 4,769

- **Plant Apaseo:** 120,555 ft²
- **Plant Jerécuaro:** 30,138 ft²
- **Plant Jaral: del Progreso** 16,200 ft²
- **Plant Tarandacuao:** 32,000 ft²
- **Plant Coroneo:** 57,555.92 ft²
- **Plant Acámbaro:** 92,569.63 ft²
- **Plant Valle de Santiago:** 108,938.84 ft²
- **Plant Victoria de Guanajuato:** 30,759.95 ft²

Harnesses plants

Arela Silao



Founded in 1996 in Guanajuato State.

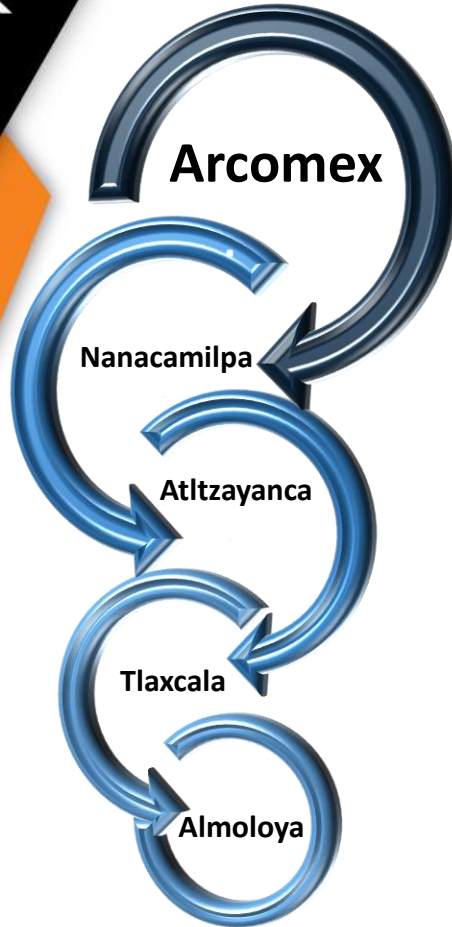
- Silao Plant 1: 105,000 ft²
- Silao Plant 2: 105,000 ft²
- Ocampo: 23,250 ft²
- Plant Jaral: 16,792 ft²
- San Diego: 33,368 ft²
- Plant San Felipe: 12,916 ft²
- Plant San Felipe II: 16,261.90 ft²

PRODUCTS:

- American OEM's Wiring
- Wiring Sequencing Process

PEOPLE

Salaried: 453 Hourly: 4,817
 Total: 5,270



Harnesses plants

Arcomex



Founded in 1994 in Ixtacuixtla in Tlaxcala State.

- Plant Ixtacuixtla: 92,397 ft²
- Plant Nanacamilpa: 16,146 ft²
- Plant Atltzayanca: 10,764 ft²
- Tlaxcala: 20,000 ft²
- Almoloya: 21,527.82 ft²

PRODUCTS:

- Europe OEM's Wiring
- Bordnetze
- Wiring Harnesses: Motor, Alternator, Doors, Fascia, Mirrors, Sunroof
- KSK & JIT

PEOPLE

Salaried: 297 Hourly: 2,519
 Total: 2,816

National cable plants - Main characteristics

VALLEJO PLANT - MEXICO CITY



PRODUCTS:
Magnet wire
Power cables
Special purpose cables

PERSONNEL: 601

CERTIFICATIONS: ISO-9001:2015
ISO 14001:2015

PLANT AREA (M2 – FT2)
79,000 mts2 - 850,348 ft2318

CORDAFLEX PLANT - QUERETARO



PRODUCTS:
Automotive cable
Special cables
Battery cables

PERSONNEL: 276

CERTIFICATIONS: IATF16949:2016,
ISO 14001:2015, ISO 9001:2015

PLANT AREA (M2 – FT2)
9,900 mts2 – 106,562 ft2

CONDUTEL PLANT - QUERETARO



PRODUCTS:
Telephone cables, Drop
wire, Fiber optic cables,
Electronic cables;
Coaxial, CATV / RF Cables

PERSONNEL: 444

CERTIFICATIONS: ISO 9001:2015,
ISO 14001:2015, TL 9000 R6:2016

PLANT AREA (M2 – FT2)
50,000 mts2 – 538,195 ft2

Foreign cable plants - Main characteristics

CABLENA PLANT - ITUPEVA, BRAZIL



PRODUCTS:
Fiber optic
Coaxial cable (CATV)
Trunk cable

PERSONNEL: 210

CERTIFICATIONS: ISO-9001:2015
ISO 14001:2015

PLANT AREA (M2 – FT2)
10,607 mts2 – 114,172 ft2

CABLENA PLANT - VINHEDO, BRAZIL



PRODUCTS:
Automotive cable
Building wire
Panel board control cable

PERSONNEL: 160

CERTIFICATIONS: IATF16949:2016,
ISO 14001:2015, ISO 9001:2015

PLANT AREA (M2 – FT2)
8,073 mts2 – 86,897 ft2

CABLENA PLANT – ZARAGOZA, SPAIN



PRODUCTS:
Automotive cable
Control & instrumentation
cable, Special cables,
Hook-Up wire & cables

PERSONNEL: 78

CERTIFICATIONS: IATF16949:2016,
ISO 14001:2015, ISO 9001:2015

PLANT AREA (M2 – FT2)
15,886 mts2 – 170,995 ft2



Wire harness products & customers OEM's

NAVISTAR



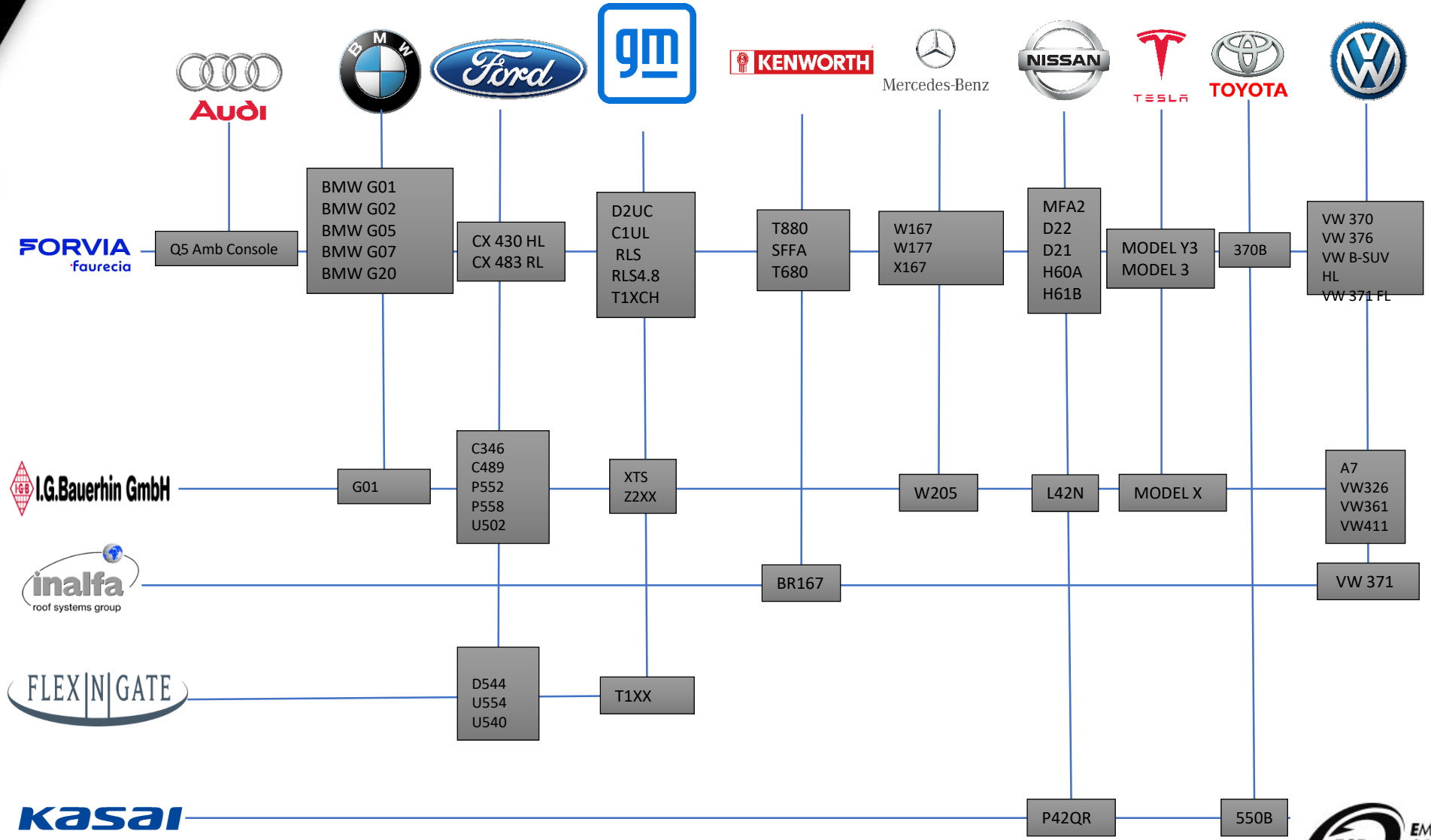
ISUZU

Wire harness products & customers

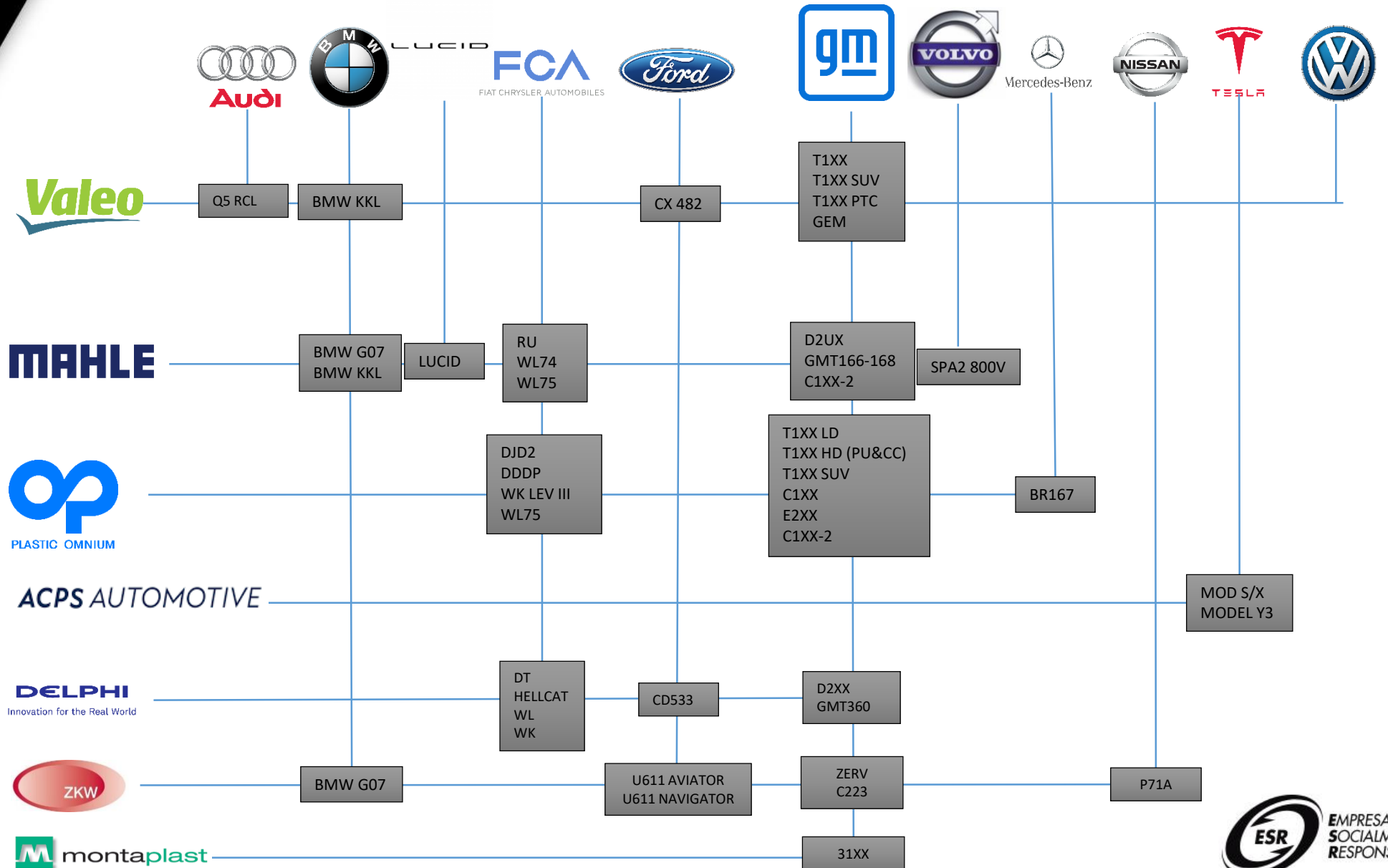
Tiers



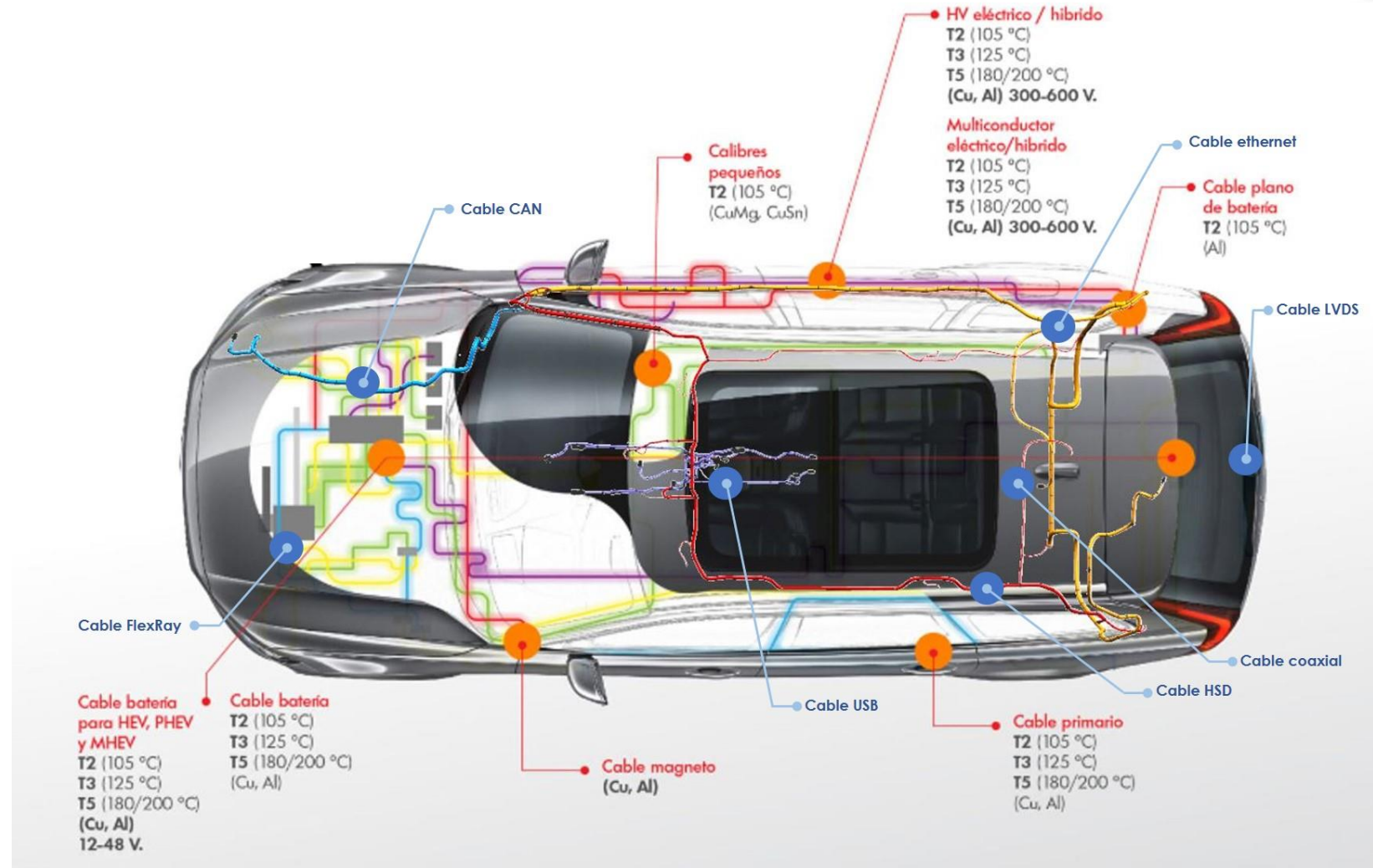
Programs Per Tier 2023



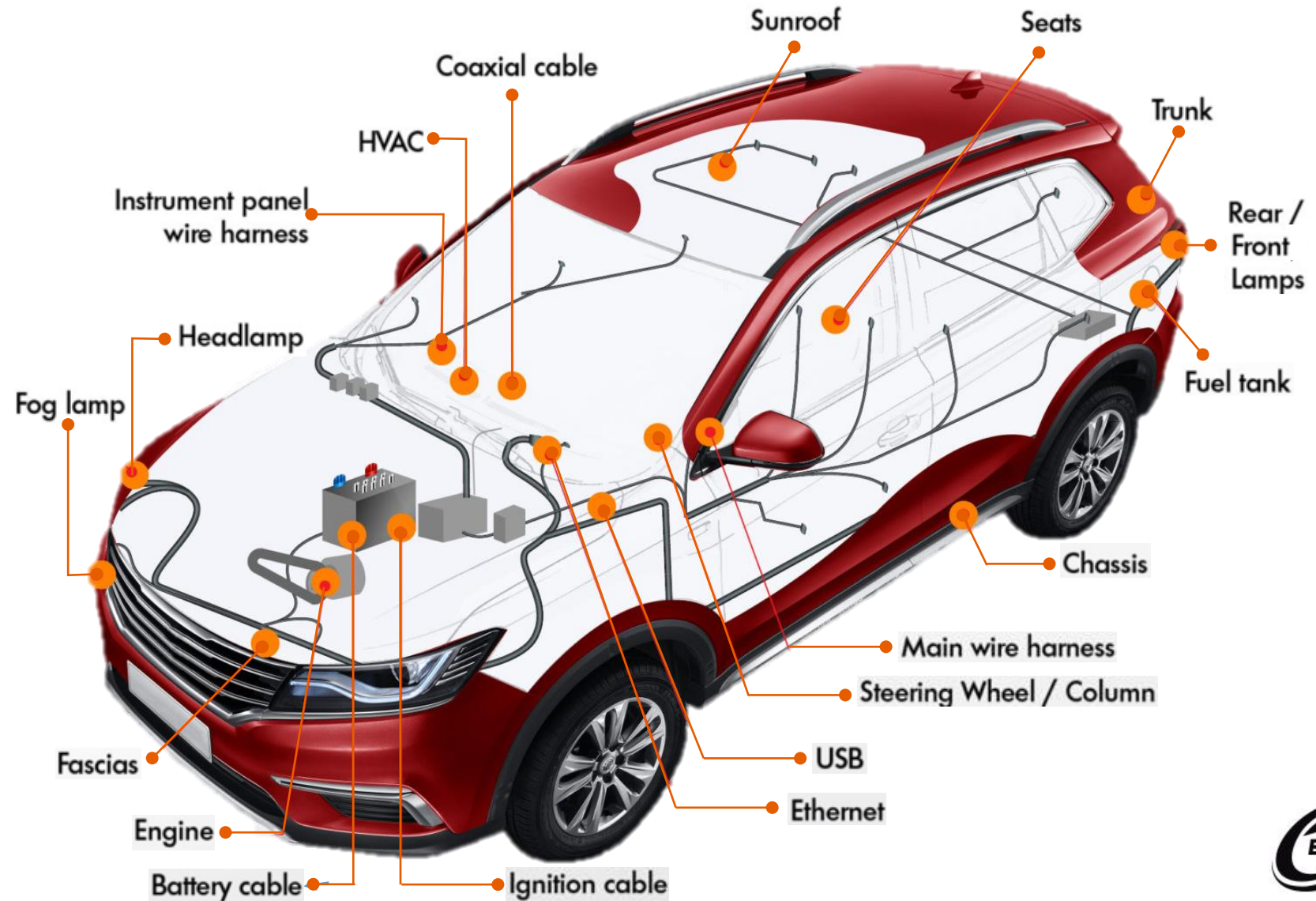
Programs Per Tier 2023



Cable portfolio & solutions



Harness portfolio





Prizes and awards



- Supplier Excellent Quality Award : 2014, 2015, 2016, 2017, 2018, 2019, 2020,2021.
- Supplier CQSTP.
- Supplier Quality Award: 2013, 2014, 2015, 2016, 2017, 2018.



- VW Group Award
- VW Formel "Q"



- Masters of Quality: 2015,2017.

DELPHI

- Pinnacle Award for Supplier Excellence: 2015



- Productivity
- Best Supplier
- Quality & Delivery



- Ford "Q1"



- Quality Master
- RCO CTRL Production Cental



- Best Project Management: 2015



2011



2016



2015



2016



Certifications

Certification	Arela Apaseo	Arela Silao	Arcomex	Cordaflex
IATF 16949	✓	✓	✓	✓
ISO 14001	✓	✓	✓	✓



IATF 16949 Arneses Apaseo



IATF 16949 Arneses Silao



IATF 16949 Arcomex



IATF 16949 Cordaflex



ISO 14001 Arneses Apaseo



ISO 14001 Arneses Silao



ISO 14001 Arcomex



ISO 14001 Cordaflex

Research and development

2 Centers, 11 engineering and residence offices:

- 18 laboratories
- 5 pilot plants
- 462 people

Certification and accreditations:

- TS16949, ISO9001
- ISO/IEC17025
- ISO14001
- ISO50001
- UL

Collaboration with external Institutes:

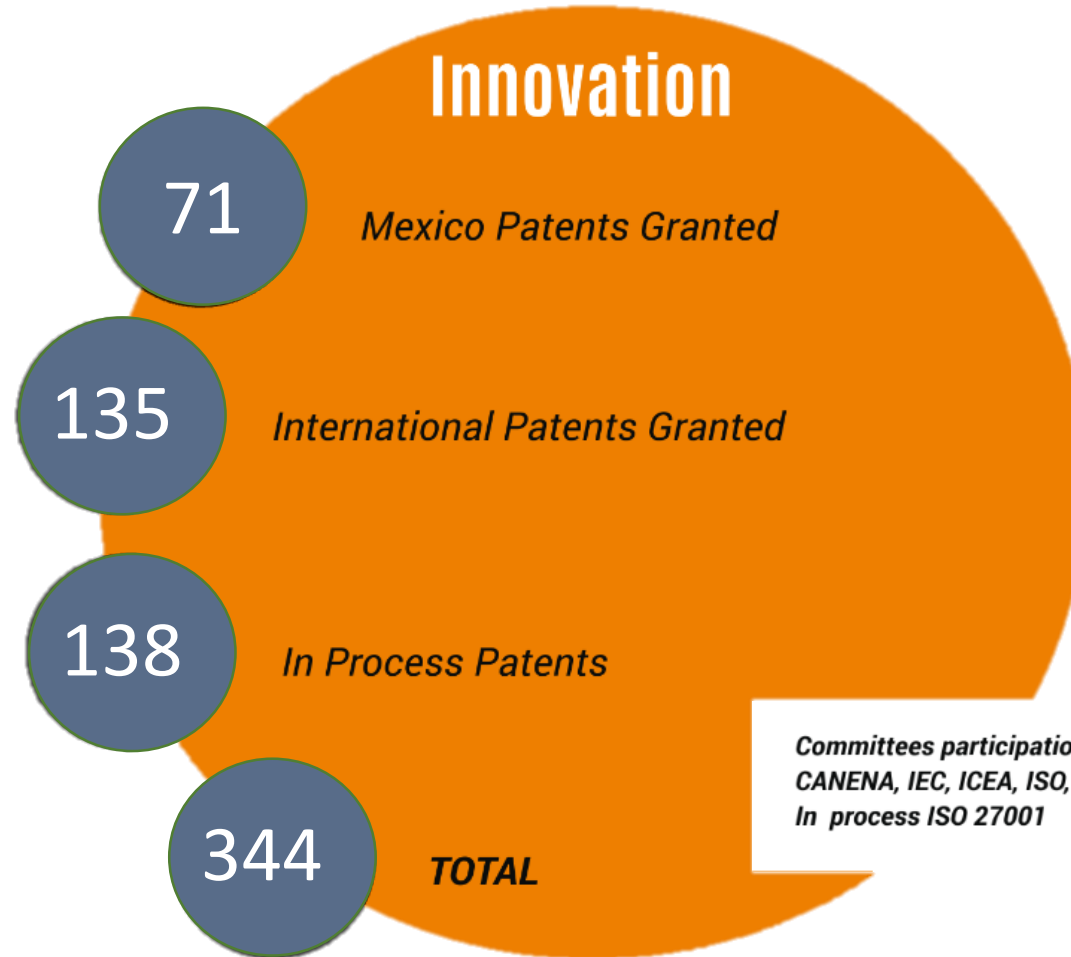
- Project agreements
- Workshops
- Training



CIDEC Jurica

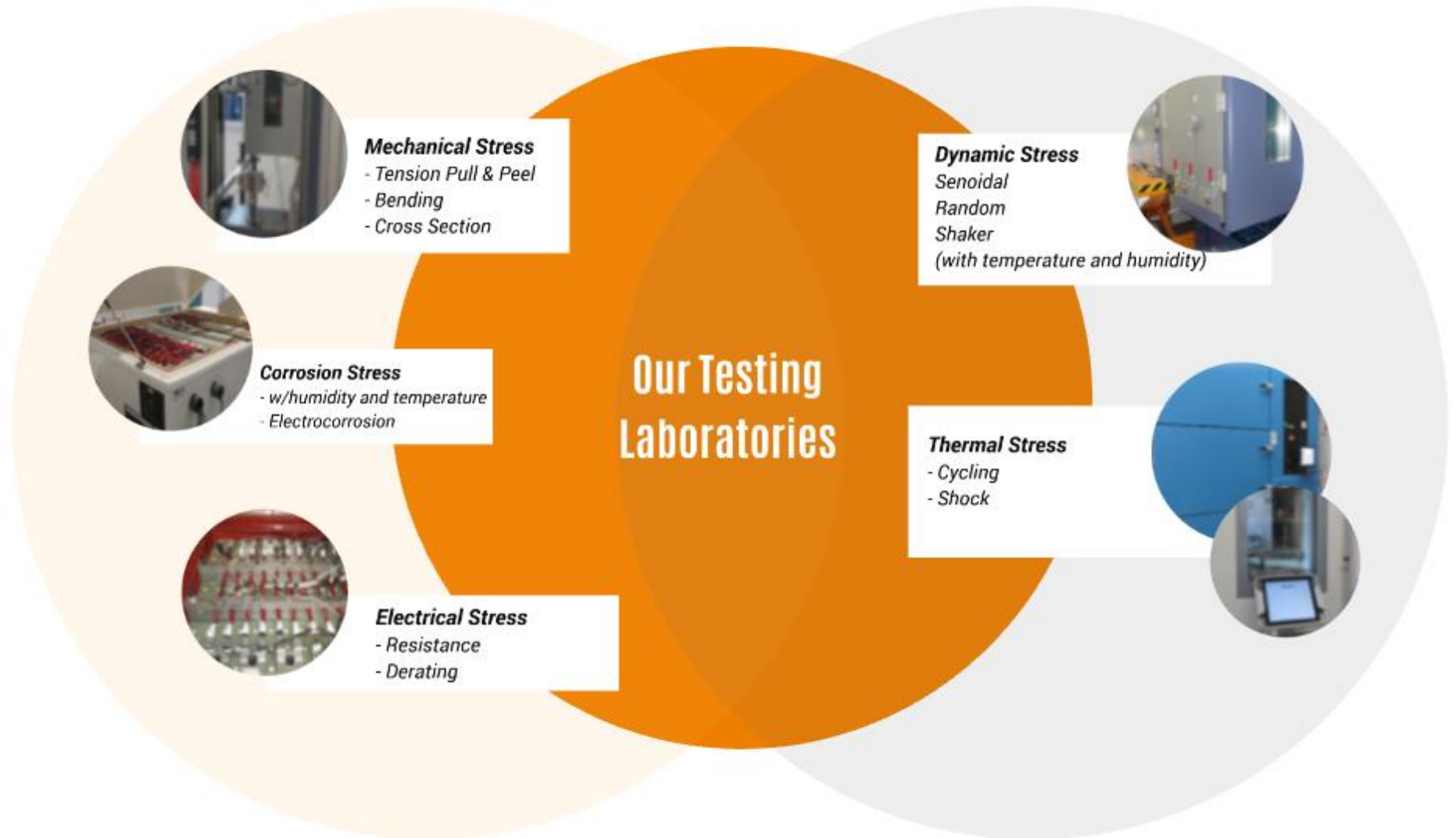


CIDEC Palmares

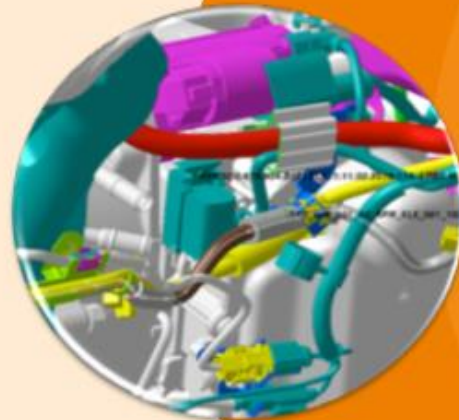


Committees participation: ANCE,
CANENA, IEC, ICEA, ISO, ema
In process ISO 27001





Product Development



Design for distribution systems:

Electrical:

- LCable (Mentor Graphics)
- EB Cable (Aucotec)

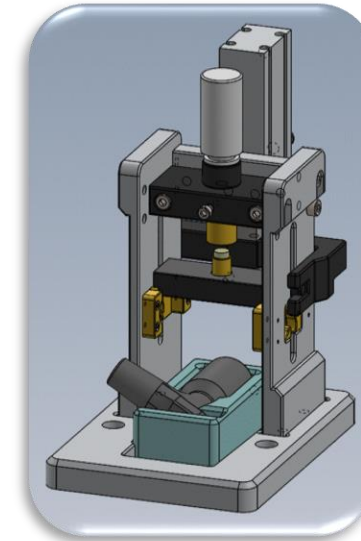
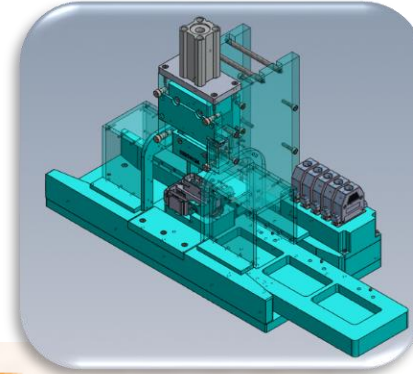
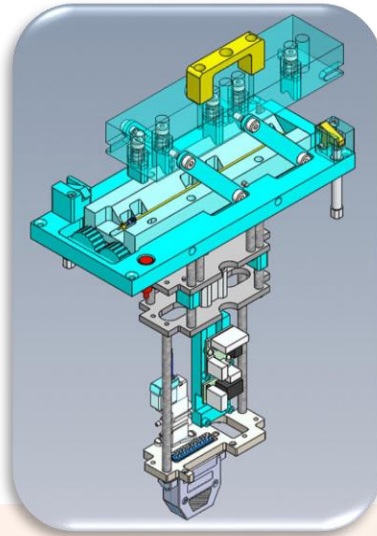
3D Routing for virtual prototype:

- CATIA V5 (Including Clashing)
- NX (including FEA)

2D Foamboard:

- LDorado
- AutoCad
- Solid Works

Connection to Customer databases for design process and simultaneous engineering.



TOOLING CENTER

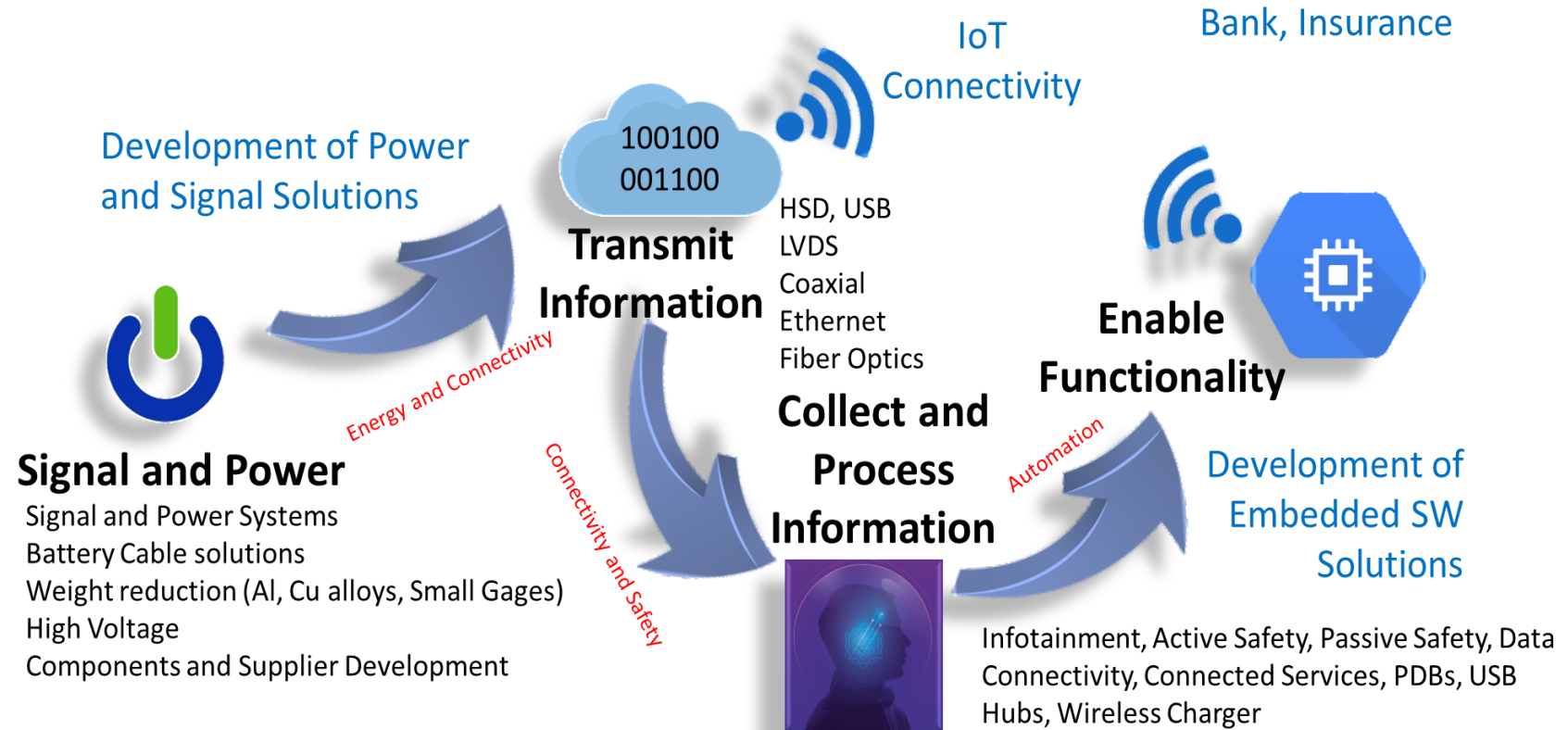
We have a tooling center facility located in *Apaseo Plant*, this center has the following capabilities:

Engineering

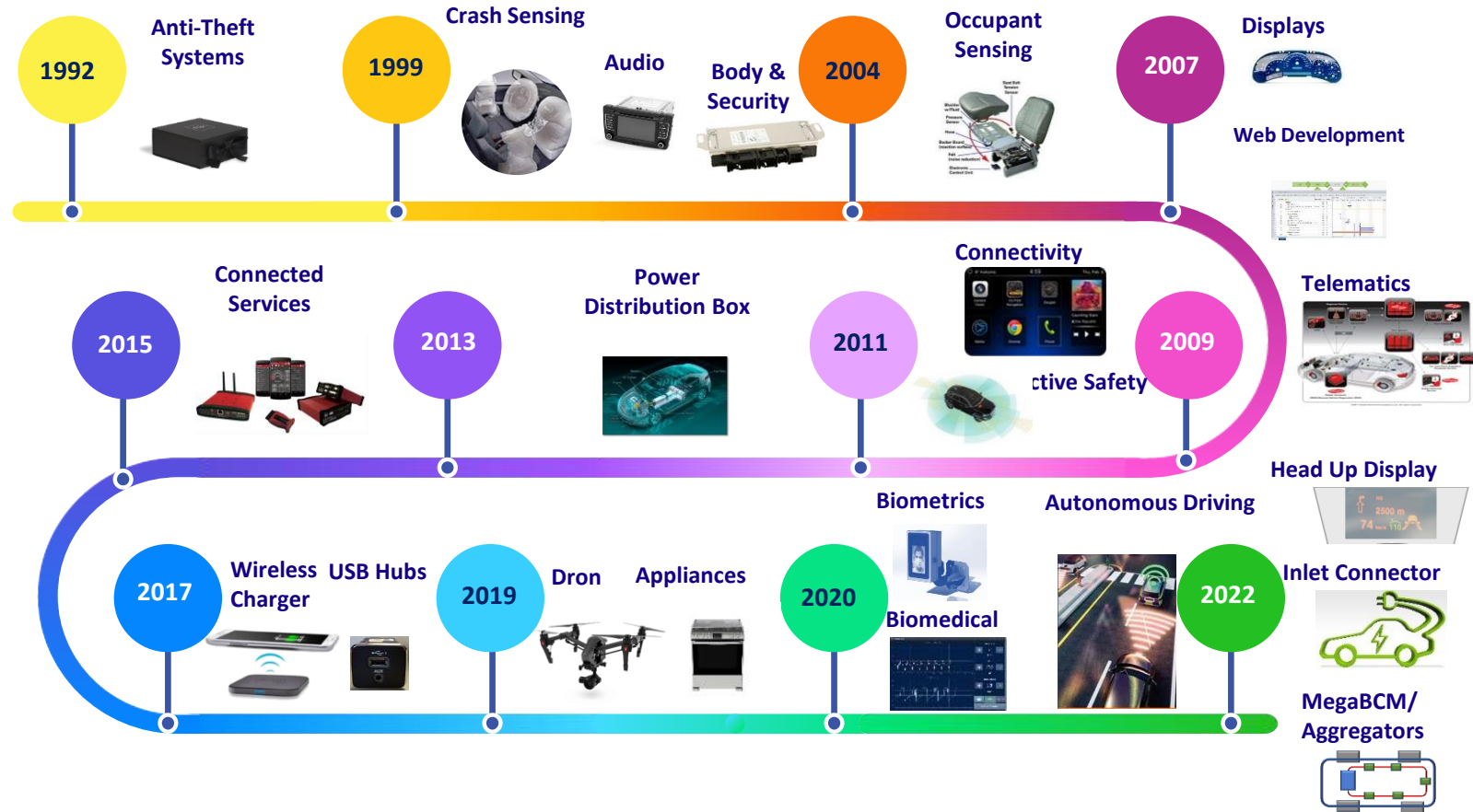
Engineering, design and manufacturing of tooling for assembly and electrical validation of wiring harnesses and other products.

Embedded software

Mobility Solutions



Some of our embedded software developments over the years



AMERICAN CUSTOMERS

German Barbosa

✉ **E-MAIL:**
german@condumex.com

📍 **ADDRESS:**
Location Troy, Michigan, USA

☎ **CUSTOMER SERVICE:**
+1 (817) 602 1104

Gustavo Camarena

✉ **E-MAIL:**
gcamarena@condumex.com.mx

📍 **ADDRESS:** Location Querétaro,
México
Location Querétaro, México

☎ **CUSTOMER SERVICE:**
+52 (442) 103 0584

EUROPEAN AND ASIAN CUSTOMERS

Maurice Ilkov

✉ **E-MAIL:**
maurice@condumex.com

📍 **ADDRESS:**
Location Remscheid – Germany

☎ **CUSTOMER SERVICE:**
Tel: +49 (2191) 842 5522

Christian Daniel Schwabe

✉ **E-MAIL:**
cdaniels@condumex.com.mx

📍 **ADDRESS:**
Location Tlaxcala, México

☎ **CUSTOMER SERVICE:**
+52 (248) 482 8600 ext. 1102

TIER CUSTOMERS

Juan Rivera

✉ **E-MAIL:**
juanr@condumex.com.mx

📍 **ADDRESS:**
Location Guanajuato, México

☎ **CUSTOMER SERVICE:**
+52 (413) 158 4900 ext. 2269