

MAQ-REY

PRODUCTION MACHINING

4 Y
0 e
a
r
s

VENTAS@MAQ-REY.COM

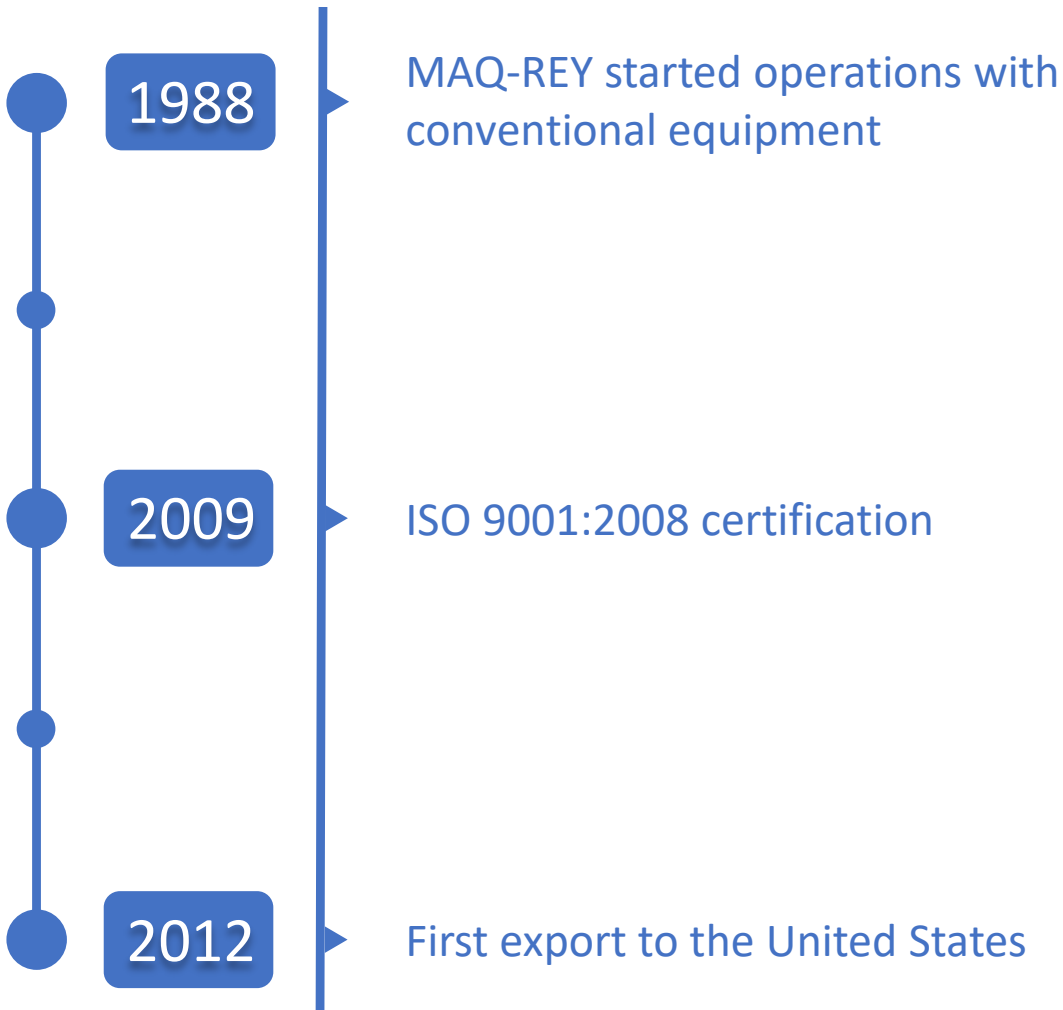
ALWAYS
IMPROVING,
ALWAYS THERE.

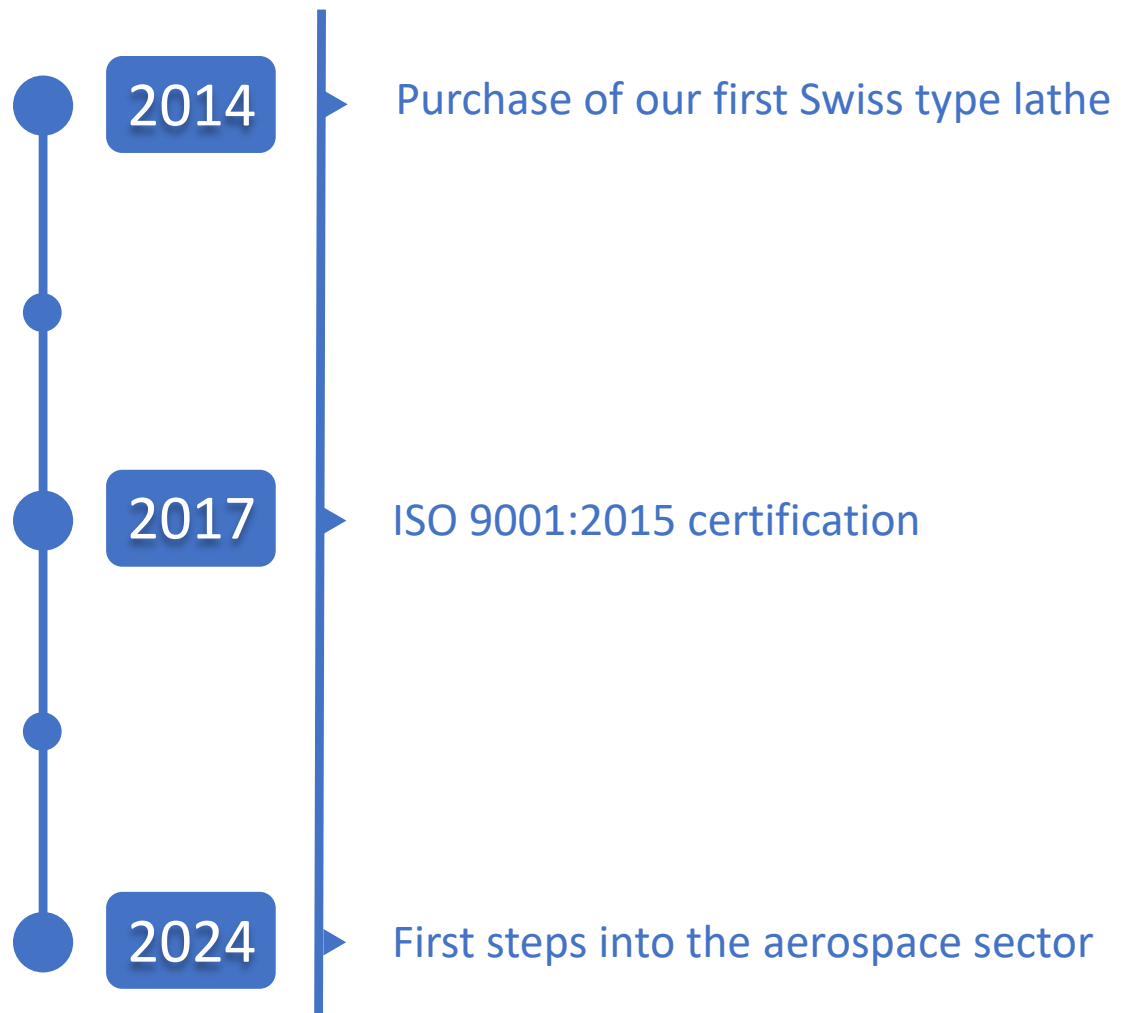




EST.
500,000 u
annually

Our Story







CERTIFIED

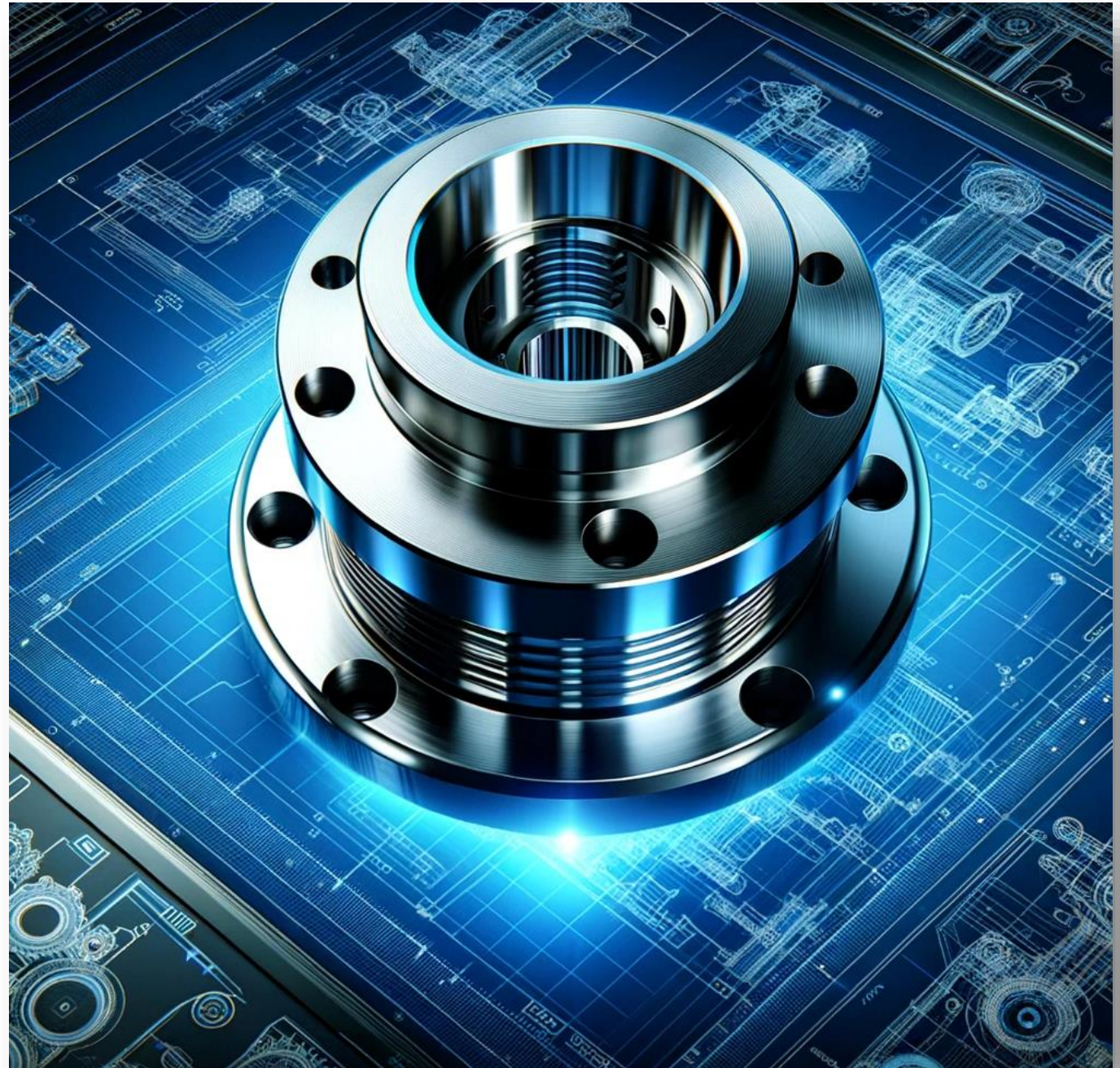
ISO

9001-2015

COMPANY

Manufacturing & Warehousing

- Forecast based manufacturing
- ERP
- CAD/CAM systems
- Experts in 4, 5 y 8 axis CNC machining



Machinery



Swiss type machining (5)

- 8 Axis
- Efficient in small, high-precision parts



Turning and Multi-Spindle (11)

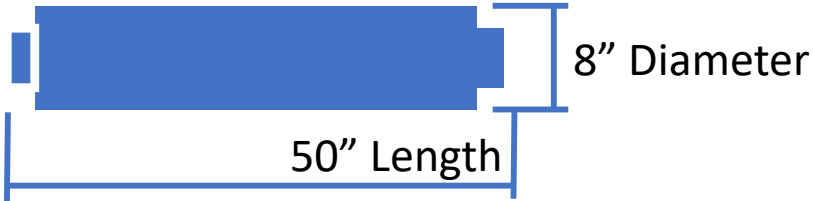
- Capability to finish parts in one operation
- For production turning operations



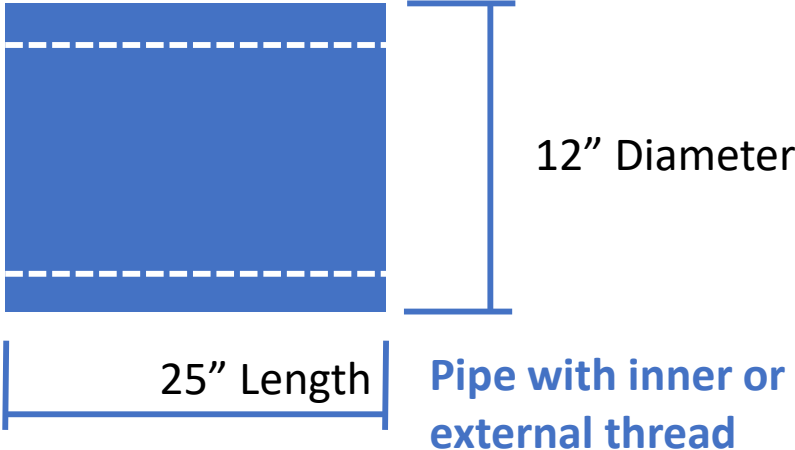
Milling and 5-axis (5)

- Greater complexity in fewer operations
- Efficient for more complex parts

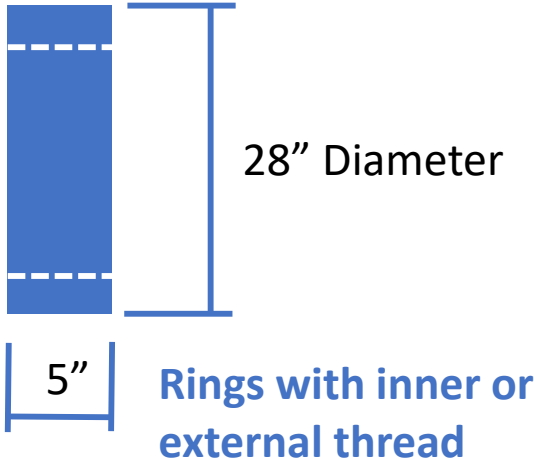
Dimensional Capabilities



Solid bar maximum machining dimension.



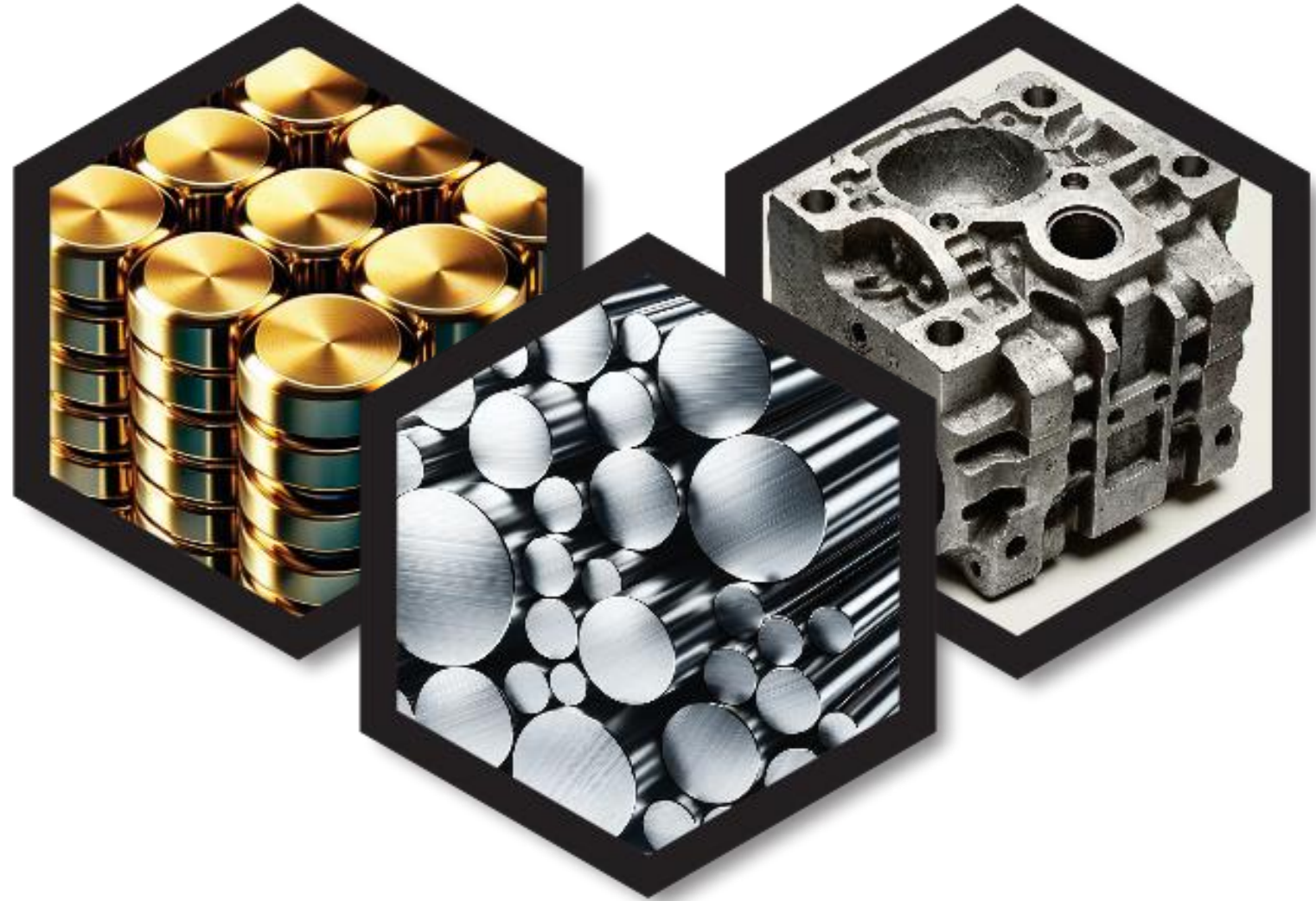
Pipe with inner or external thread



Rings with inner or external thread

Materials

- Carbon steels
- Stainless steel
- Aluminum
- Copper and Brass
- Forge
- Engineering plastics



Industries



Quality Control

- CMM
- Estadistic Control
- Colorimeter
- Profilometer
- GageMaker thread control



Packing and Shipping

- Standardization of customer requirements
- Shipment control
- Stock management



Other capabilities through third parties

- Plating and chemical coatings
- Heat Treatment
- Forging
- Assembly





Main Production Area



Warehousing Area

Clients

Baxter

HALLIBURTON

Honeywell

WAGNER

TRANE
TECHNOLOGIES™

"We manufacture components that are part of the pillars holding
the hope for a better future."