



A Summary of our Capabilities & Outlook

2024

Industry Leading Injection Molding

Custom Injection Molder that Provides Technical, Innovative Solutions to our Customers

Adding Value by Expanding our Manufacturing Capabilities through the Incorporation of New Technologies

Global Presence with Customers and Suppliers



Chihuahua, MX



Erie, PA, USA

Accudyn

A Company of
Values



WELL-BEING OF OUR
PEOPLE



RELATIONSHIP WITH
OUR CUSTOMERS



SUSTAINABILITY OF
OUR BUSINESS



ENGAGEMENT IN
OUR COMMUNITIES

Accudyn History – Key Milestones



1998

Accudyn founded in Erie PA



2007

Established Accudyn de Mexico in Chihuahua



2012

Acquisition of Crusade Tool



2013 - 2016

Major Expansion at Accudyn Erie

Accudyn de Mexico Moves to a New Location

Company-Wide ERP Transition to IQMS



2017

Engineering Center Expansion in Erie



2018 - 2019

Added Capacity and Assembly Capability in Chihuahua



2020 - 2021

Managing COVID

Strategic Planning

Accudyn Mold & Engineering



2022 - 2024

COVID Aftermath

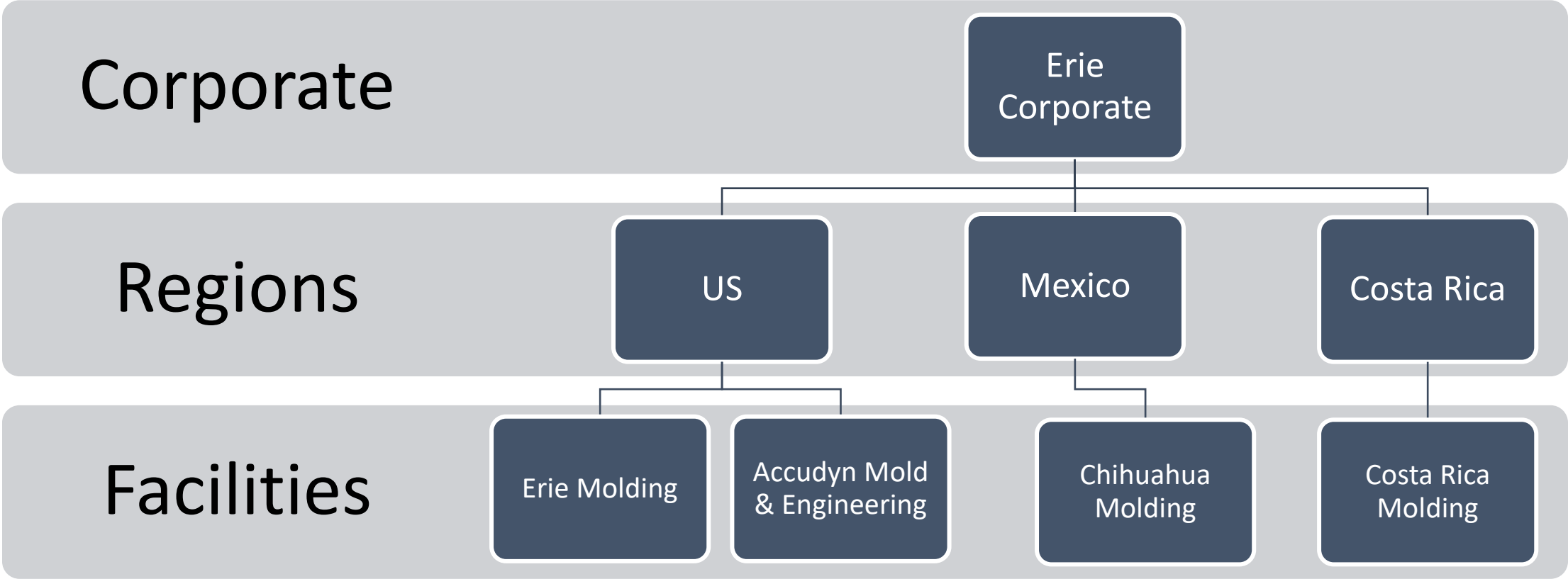
Strategic Planning Implementation

Organizational Development



2025

Accudyn Costa Rica



Organizational Structure

Accudyn Erie

Location – Erie, PA (86,000 sq. ft.)

Employees – 180+

Presses – 46 (20 to 500 tons)

Quality Certifications:

ISO 9001:2015

ISO 13485:2016

ISO 14001:2015

UL QMMY2 (E476744)



Accudyn Chihuahua

Location – Chihuahua, MX (56,000 sq. ft.)

Employees – 430+

Presses – 55 (40 to 900 tons)

Certifications

IATF 16949:2016

ISO 9001:2015

UL QMMY2 (E476744)



Accudyn Mold & Engineering

Location – Erie, PA (12,000 sq. ft.)

Employees – 14

AME is a full-service tool shop with world class technology and experienced tool makers that is fully integrated with our engineering and program management teams.





CR PROJECT

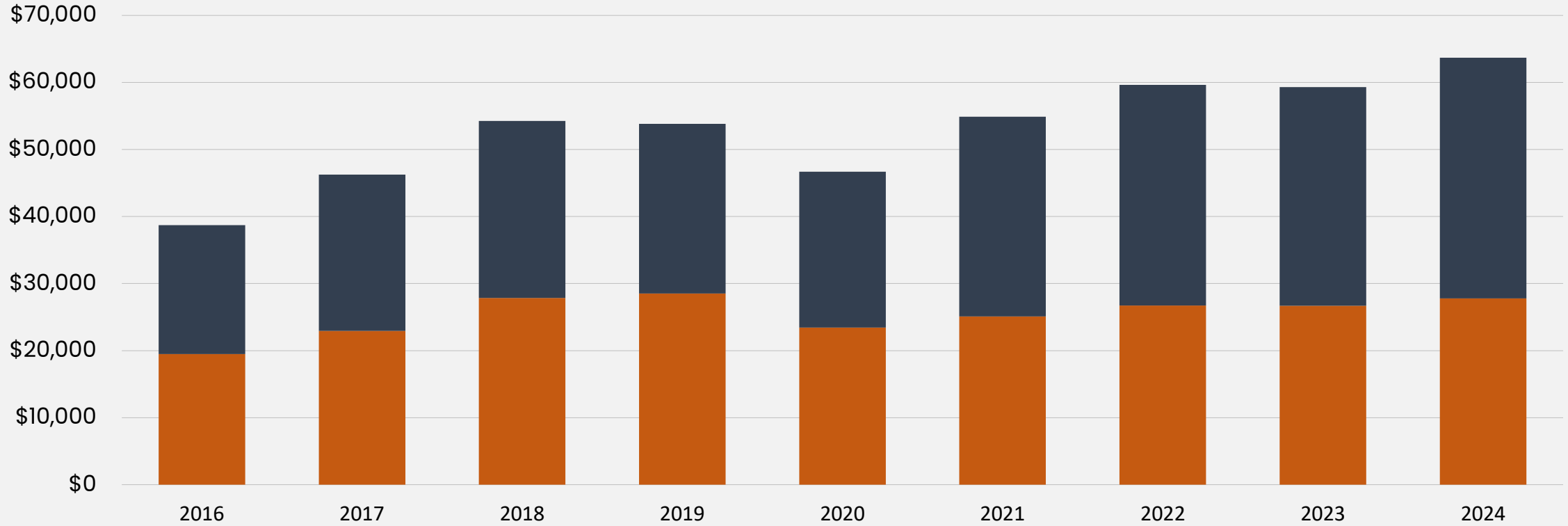
COMING IN 2025

Sales Review

A Review of Performance and Growth

Accudyn Sales History

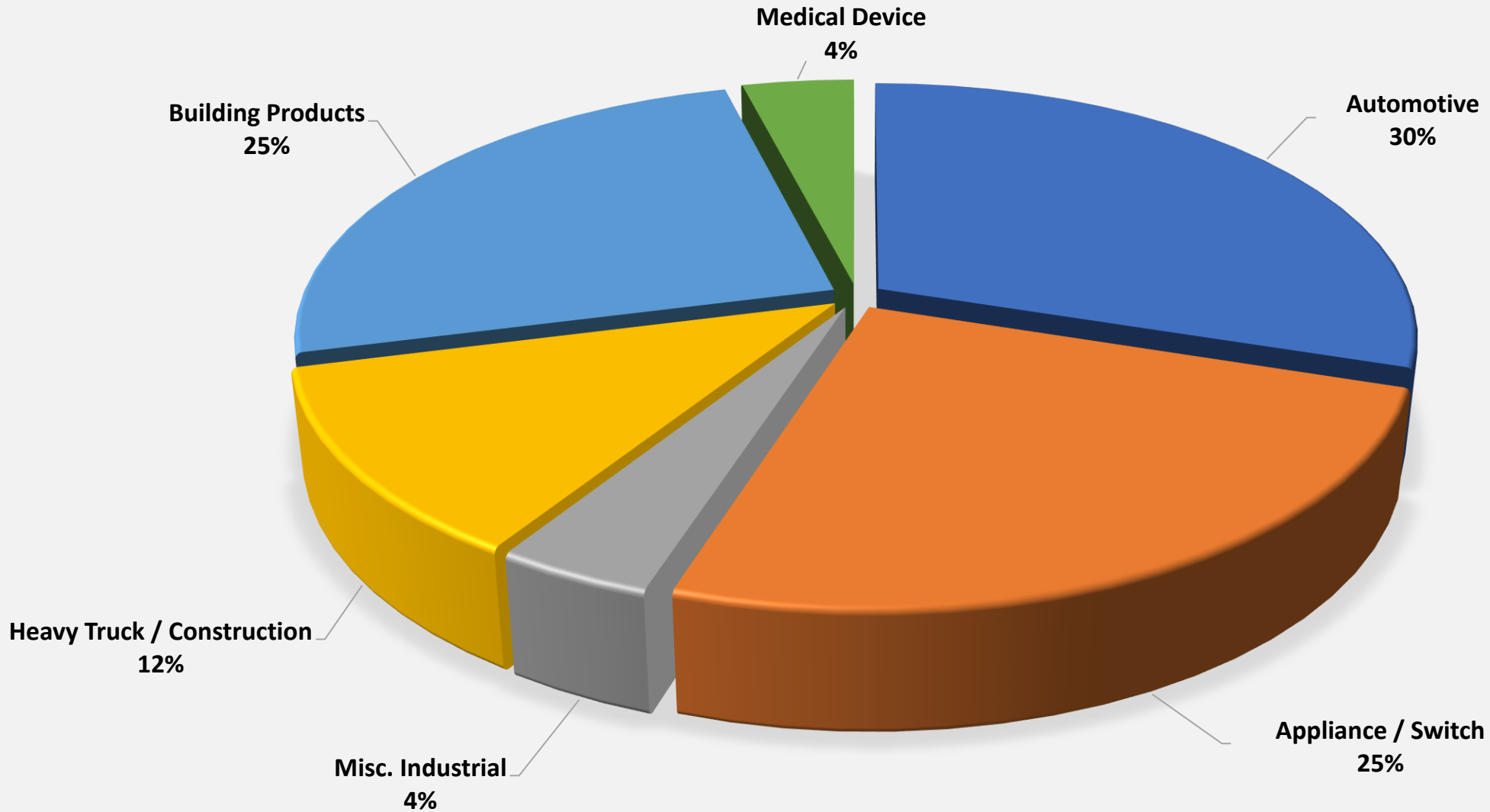
Sales (000)



ERI Accudyn Erie

CHI Accudyn Chihuahua

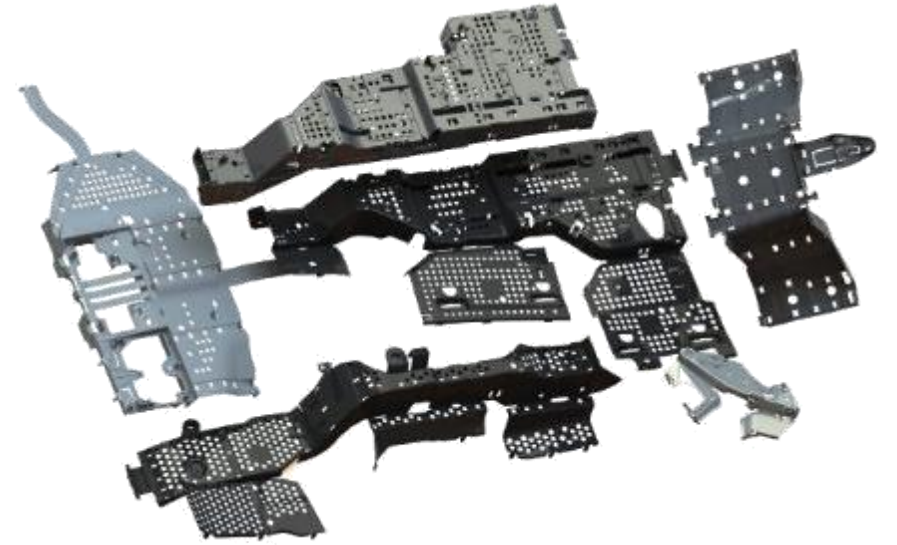
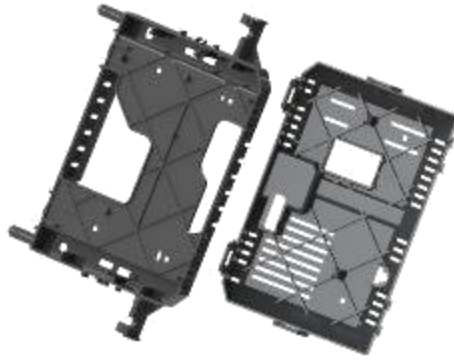
Market Segment Diversification



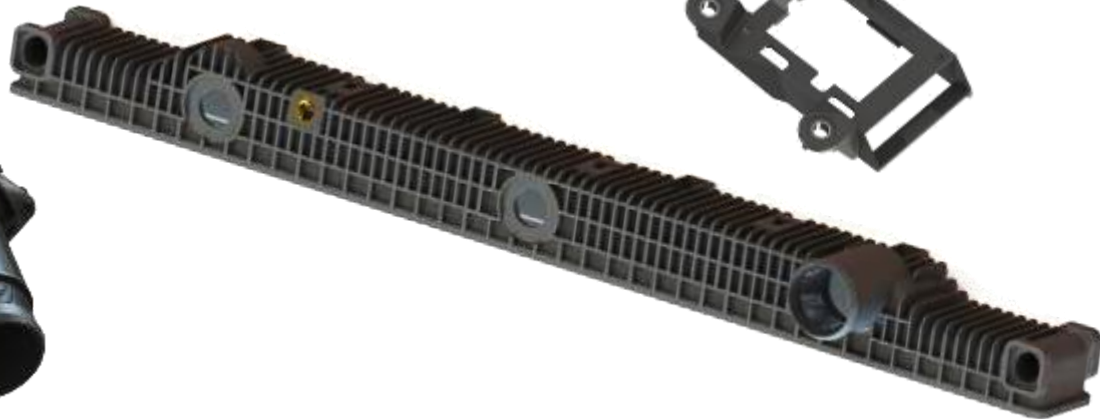


Customer Diversification



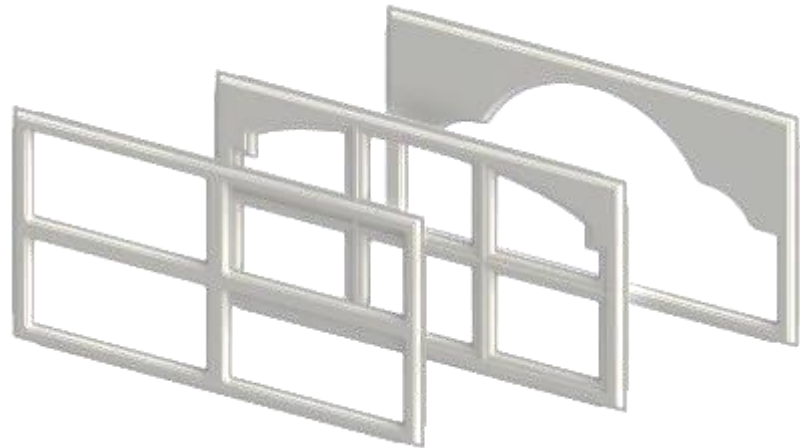


Products - Automotive





Products - Misc. / Industrial



Engineering & Tooling

Overall Technical Capabilities

Sophisticated Tooling Solutions to Meet Virtually any Customer Need

- Established Accudyn Mold & Engineering
- Decades of Tooling Expertise
- Preventative Maintenance (PM) for all Customer Tooling
- Global Tooling Partners
 - United States (Internal/External)
 - Eastern Europe
 - Asia



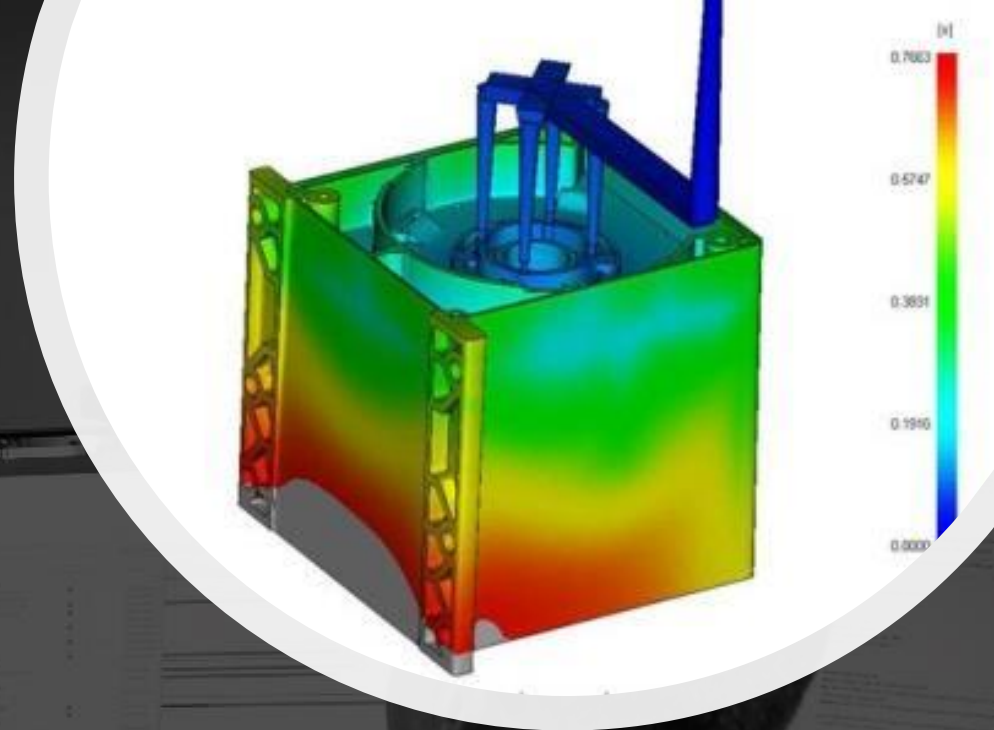
Engineering Discipline is Integral from Design through Production

Product Development Support and Analysis

- SolidWorks Professional for Design
- Moldflow Insight Software for Flow Simulation and Analysis

Metal-to-Plastic Conversion

Program Management



Program Management at Accudyn Employs a Systems-driven Approach that Integrates Online Collaboration, Timelines and AIAG/APQP Adherence

Cross-functional Engineering Support

Microsoft Project Online Utilized to Manage Projects

Weekly Meetings on All Projects

New Tooling Projects Managed Through Erie Engineering Group

Close Communication with Plant Engineering Teams

PPAP and Production Readiness



Manufacturing & Quality

System Driven Processes



Accudyn Molding Facilities Offer:

- Precision Drying Equipment for Each Machine
- Hardened Screw and Barrels for Abrasive Resins
- Scientific Molding Capabilities
- Process Alarms Integrated into Key Machine Controls
- Automation / Robotics for Insert Molding and Part Removal
- Realtime Monitoring Capabilities through IQMS

Accudyn's System-driven Molding Processes Cover the Exacting Requirements Needed to Mold a Broad Range of Highly Engineered Resins

Value Added Operations

- Ultrasonic Welding
- Pad Printing / Laser Printing
- Heat-staking
- Leak Testing
- Manual & Automated Assembly
- Vision System Part Inspection
- Annealing
- Two-shot Molding
- Insert Molding



Accudyn Quality

Our Certified Quality Systems
are Integral to our Focus on
Zero-defect Injection Molding
and Flawless Delivery
Performance



Database Driven Quality System

Fully Equipped Quality Labs

- Bridge-Type Touch CMM – Carl Zeiss Contura G2
- Multi-sensor DDC 4th Axis CMM – Carl Zeiss O-Inspect 543 CNC
- Gear-pro Software – Integrated into Calypso
- OGP SmartScope Flash 1500 – Multisensor Measurement
- Keyence VL500 - 3D Part Scanning (.0004" accuracy)
- Melt Flow, Moisture Analysis, Leak Testing
- Spectrophotometer, Gloss Meter and Roughness Meter

Full PPAP Capabilities

IQ / OQ / PQ – Medical validation standards

Accudyn's Value

Why our customers do business with us . . .

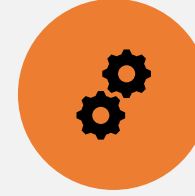
Accudyn



Family Owned / Family Oriented Company



Customer Driven / Customer Focused



Process Driven Manufacturing Systems



Right Manufacturing Footprint



Engineering – Materials / Analysis / Design Support / Process Development



We are Competitive



We are Financially Healthy / We are Growing



Our Team
Focused - Engaged - Responsive - Enthusiastic



Tooling - Offshore Options
World Class Internal Capabilities



www.accudyn.com